

COST-EFFECTIVE AUTOMATION

COMPACT UNITS FOR

- DRILLING
- TAPPING
- MILLING



www.e2systems.com

HIGH SPEED
DRILLING UNIT BE 11/
GRINDER HFS100



HIGH PRECISION DRILLING UNIT BE11

AND HIGH SPEED GRINDER HFS100

Precision drilling/grinding unit with a basic design based on a patented air-driven turbine motor. The drive unit is powered without intermediate gears and features variable speed control up to 80 000 rpm. A special high-speed precision bearing makes the drilling unit extremely quiet with a sound level of 67 dB (A). BE 11 / HFS 100 is designed for lubrication-free operation.

- 80 000 RPM
- PRECISION UNIT FOR DRILLING, DEBURRING ETC
- HIGHLY STABLE BEARING SYSTEM
- LOW NOISE LEVEL (67 dB(A))
- HFS 100: ALSO AVAILABLE AS HIGH SPEED GRINDER (HFS100), WHICH INCLUDES A HOSE SUITABLE FOR MANUAL HANDLING OF THE UNIT (SEE PICTURE).



BE 11



HFS 100

Guidelines for choice of unit

[Ø, mm]

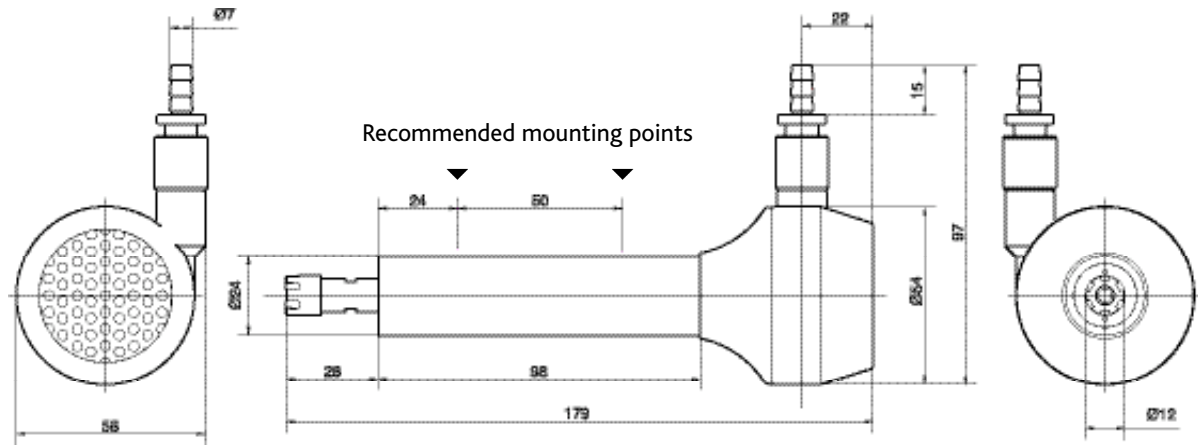
DRILLING UNIT	CAPACITY IN STEEL	CAPACITY IN ALUMINIUM/BRASS	CAPACITY IN WOOD/PLASTICS
BE 11	1.5	3	4

Performance specifications at 6.3 bar

Power	0.08 kW	Min. CC Spindle Spacing	54 mm	Air consumption	<0.12 Nm ³ /min
Speed	<80 000 rpm	Run-out at spindle nose (max.)	0.007 mm	Sound level	67 dB(A)
Torque	0.02 Nm	Working pressure range	4–6.3 Bar		

Dimensions


[mm]



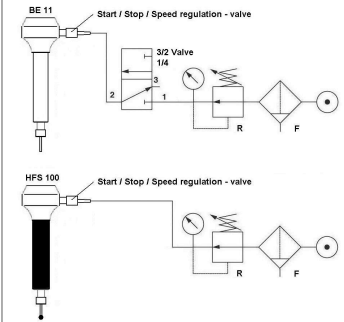
You can download 2D CAD-drawings and 3D CAD-models on www.e2systems.com.

WEIGHT 0.45 KG

Necessary components

COLLETS	TYPE	PAGE
	ER 8 collets 1.0 – 5.0 mm	51

Accessories

CONTROLS	TYPE	PAGE
 <p>BE 11 Start / Stop / Speed regulation - valve</p> <p>HFS 100 Start / Stop / Speed regulation - valve</p>	Controls for BE 11/HFS 100	54

On www.e2system.com you can find more information as well as the same information as above in imperial units. When requesting a quote or ordering please state: **Collet size.**

You will find units for Drilling, Tapping and Milling installed wherever increased rates of production are required. They are a cost-effective means of automating drilling, tapping and milling operations.

E2 products are known world wide for their quality, durability, precision and power. Each series of E2 units are the most compact in the market today.

E2 customers benefit from the high quality of the E2 product line with less down-time and reduced operating costs. The compact design of the E2 units together with a good availability of CAD-drawings/-models makes the design of a machine more straight forward.

E2's concern for the worker and his environment is evident in all E2 products. Low noise levels and non-lubrication features eliminating oil mist in the air is a common feature of the E2 product line.

E2 self-feeding units utilizes a built-in hydraulic feed control system. They combine precision with power enabling a high level of precision also in multi-spindle head applications. The extremely compact Air hydraulic drilling units and Lead screw tappers are ideal for drilling/tapping smaller holes. E2's electro-pneumatic and –hydraulic units can to be used when more power is required. You will still have the E2 durability and precision. The E2 product line also includes non-feed pneumatic units perfect for drilling as well as milling, slitting and grinding.

Complementing the line of units, E2 also offers a full line of accessories for machining applications.

E2 also have supplementary product lines of

- Rotary actuators
- Air thrusters
- Pneumatic/Hydraulic components and systems

E2 Systems AB, Strömslundsgatan 3, SE-507 62 Borås, Sweden

Tel: +46 33 20 88 40 , Fax: +46 33 20 88 49

www.e2systems.com